



Pelican
Water Systems

PelicanWater.com




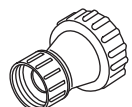




Replacement Media
PC600-R/PC 1000-R

Replacing the Media for the Pelican PC600/ PC1000 Carbon Series Whole House **Water** Filters

Complete Parts List

Table 1: Parts List

Part	Description	Qty.	Part	Description	Qty.
	Red Cap	1		Blue Funnel	1
	Carbon Media	1		Hose Bib Assembly	1
	Silicone Grease	1		Head O-Ring	1

Caution: If you have a combo system including a NaturSoft Salt Free Softener make sure to determine which tank is the Whole House Water Filter by checking the sticker on the head of the tank.

Note: The riser tube may or may not be fixed inside the tank depending on the model. Follow all the directions below if your model has a removable riser tube. If your model has a fixed riser tube, disregard the first note below and leave riser tube as-is.

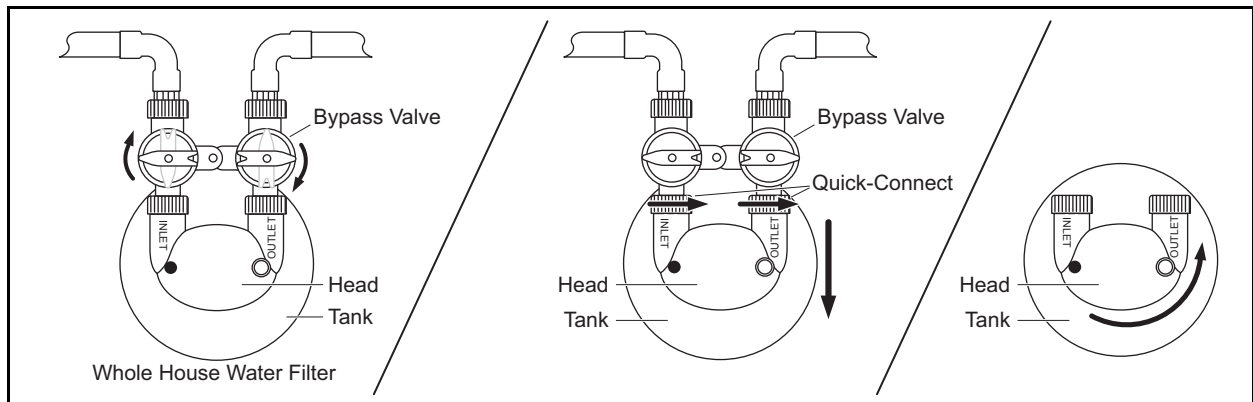


Figure 1

1. Turn the arrows on the Bypass Valve as shown to place the Bypass Valve into bypass mode.
2. Unscrew the Quick-Connects on the tank side of the Bypass Valve, leaving the Bypass Valve connected to the plumbing. Unscrew and remove the head from the tank.
3. Pour the expired carbon media from the tank. It may be necessary to use a water hose to wash the wet media from the inside of the tank. Dispose of the expired carbon media with normal household debris.

PC600-R / PC1000-R, Rev E —
Pelican PC600/PC1000 Replacement Media

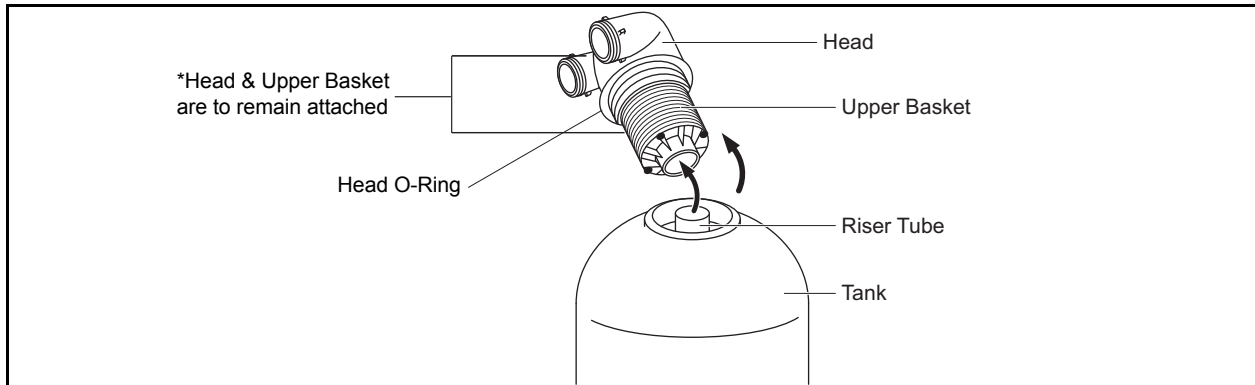


Figure 2

Note: If your tank has a removable riser tube, when removing the expired media from the tank the riser tube inside the tank will be flushed out of the tank along with the expired media. If this occurs, pull the tube all the way out and put it aside until the expired carbon media is fully removed from the tank. If the riser tube does not come out during the above process, disregard this note and skip to step 5.

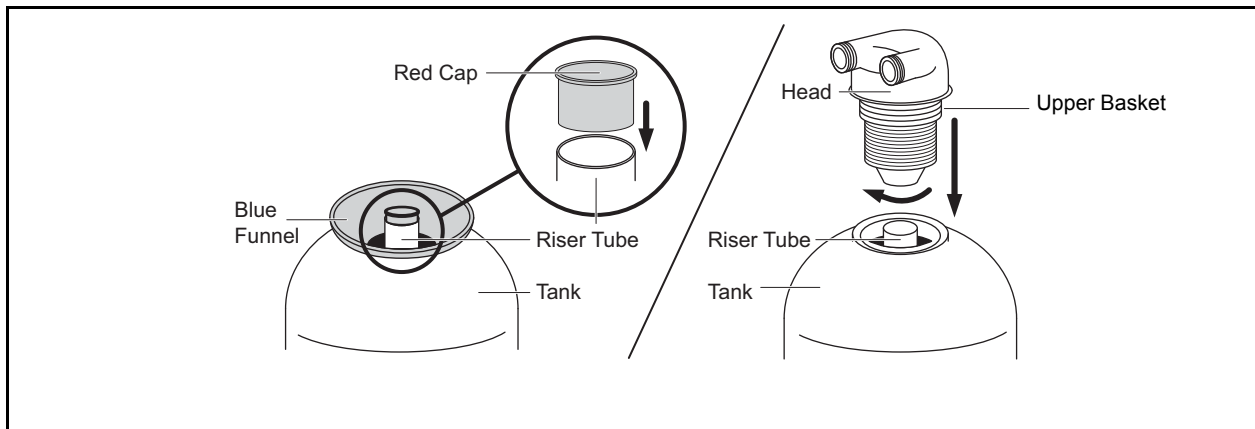


Figure 3

4. Once the expired media is removed, reinstall the riser tube inside the tank with the attached lower basket on the bottom and the open tube facing up.
5. The riser tube will rest in the center of the bottom of the tank. Cover the top of the riser tube with the provided red cap, then pour the media replacement into the tank with the provided funnel.
6. Once the media is replaced, remove the red cap from the top of the riser tube, remove the old existing Head O-Ring and replace with the new lubricated Head O-Ring and fit the riser tube into the bottom of the upper basket attached to the head.
7. Push down to screw the head back onto the tank hand-tight.

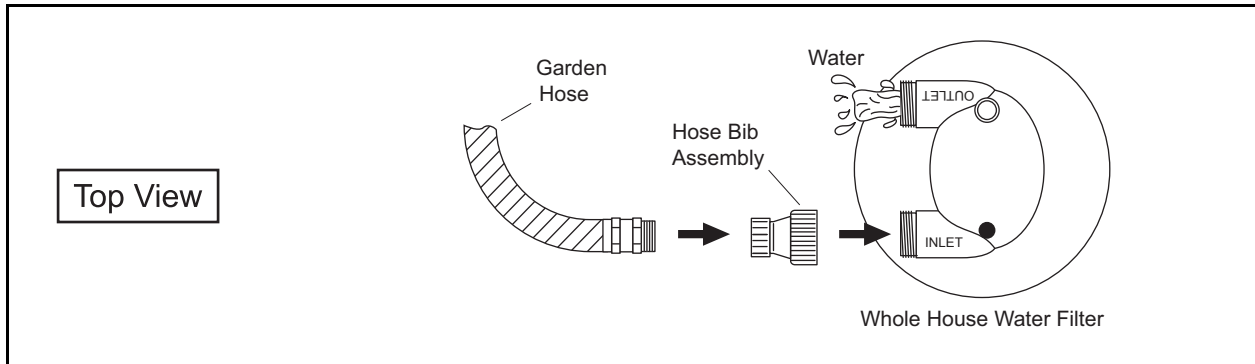


Figure 4

8. Use the Hose Bib Assembly to connect your garden hose to the inlet side of the tank head.
9. Slowly fill the tank with water until the water starts to flow out of the outlet side. Turn water off and let soak for a minimum of 48 hours.
10. After a minimum of 48 hours, turn the garden hose on 1/4 turn and rinse the tank for 30 minutes thru the inlet side to expel the carbon fines from the new media.
11. Turn off the water.
12. Disconnect Hose Bib Assembly from the inlet side and reconnect to the outlet side of the tank head.
13. Slowly fully open the garden hose and run water through the outlet side for 3 minutes to reset the carbon bed.
14. Turn off the water.
15. Remove the Hose Bib Assembly from the tank head and disconnect the garden hose.

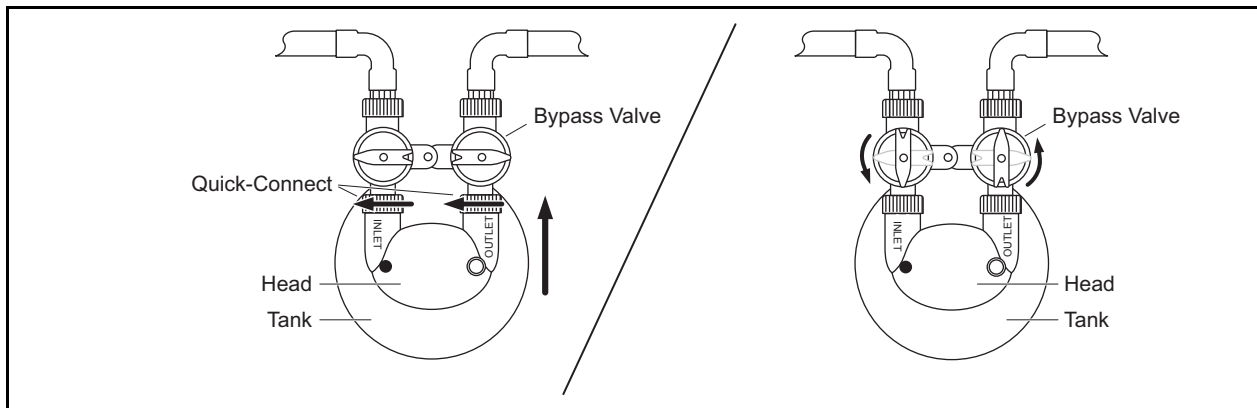


Figure 5

16. Install the tank head back onto the Bypass Valve hand-tight all the way to the tabs. Turn the arrows on the Bypass Valve back to their original positions.

Note: Avoid high flow rates for the first 72 hours to avoid flow restriction caused by carbon blockage of the upper basket inside the carbon tank.

Examples of high flow rate items are bathtubs, multi head showers, washing machines, dishwashers, hose spigots, multiple faucets or other water applications at one time. If you need to use these items in the first 72 hours simply put the carbon tank into bypass until you are finished with that application. High flow rates are 3 gallons per minute and above.

Examples of low flow rate items are a toilet, faucet or shower.

Warranty

Limitations and Responsibilities

Pelican's obligation to the customer under these warranties shall be limited, at Pelican's option, to replacement or repair of Covered Items by these warranties, labor is not covered. These warranties do not cover replacement filter cartridges, elements or lamps. Prior to return or repair of Covered Items, the customer must obtain a return goods authorization number from Pelican by/at and at Pelicans option, return the Covered Items freight prepaid. Any Covered Item repaired or replaced under these warranties will be returned prepaid standard freight to the original point of shipment. Expedited freight options are available at customer expense.

No warranty is made, and is explicitly excluded, with respect to defects or damages due to neglect, misuse, alterations, accident, misapplication, physical damage, or damaged caused by fire, acts of God, or freezing. These warranties apply only to the original registered owner so long as the owner owns/lives in the home in which the unit was originally installed. Customer must register their system with Pelican within 90 days of purchase* in order to obtain a warranty. Warranty will discontinue after the unit is removed from the location where it was originally installed. Warranty begins on the date of delivery of product to the customer. Improper maintenance of system (ie not replacing filters or media, for example) on time will be considered "neglect" and explicitly excluded from the warranty. Installation of any system on water conditions outside of or beyond the recommended specs of any system voids any warranty.

Pelican gives this warranty to the original owner/customer in lieu of all other warranties, express or implied, including without limitation any implied warranties of merchantability or fitness for a particular purpose or treatment of certain water and hereby expressly disclaims all other such warranties. THE WARRANTIES PELICAN GIVES IN THE ABOVE PARAGRAPHS ARE EXCLUSIVE, PELICAN DISCLAIMS ALL OTHER WARRANTIES, EXPRESS, IMPLIED OR STATUTORY AND SPECIFICALLY DISCLAIMS ANY IMPLIED WARRANTIES OF MERCHANTABILITY, FITNESS FOR A PARTICULAR PURPOSE OR IMPLIED WARRANTY OF WORKMANLIKE PERFORMANCE. Pelican's liability hereunder shall not exceed the cost of the product. Under no circumstances will Pelican be liable for any incidental or consequential damages or for any other loss, damage or expense of any kind, including loss of use, arising in connection with the installation or use or inability to use the Covered Items or any water treatment system the Covered Items are incorporated into. These warranties are governed by the laws of the state of Florida and may change at any time without notice..

*Failure by California and Quebec residents to complete the product registration form does not diminish their warranty rights.

**For all orders placed on or after June 3rd, 2011.